

CAEL-SS27

Dew Point Transmitter for Industrial Control

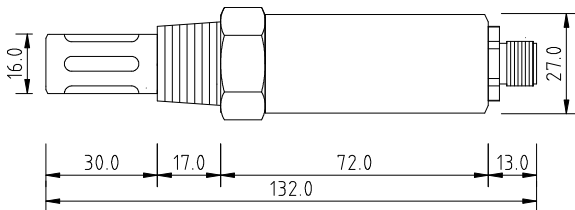


Features

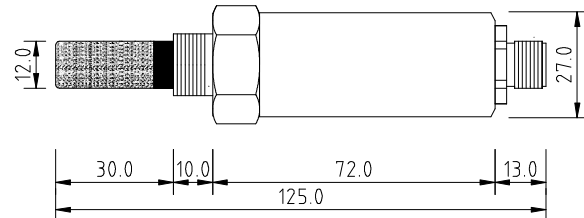
- Measuring range -60 ...60°C Td
- Analog output 4...20mA
- MODBUS RTU protocol with integer and floating type
- Both analog and digital output
- PNP alarm output
- Td or PPM selectable output
- Free software with data log
- Unit support metric or imperial
- Working temperature up to +85°C (185 °F)
- Pressure up to 100 bar
- Excellent quality and stable measurement
- Quick response time
- IP-65 housing

DIMENSIONS (mm)

G 1/2" PT 1/2"

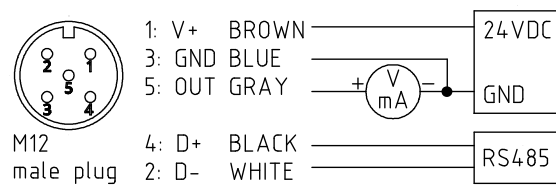


UNF 5/8"

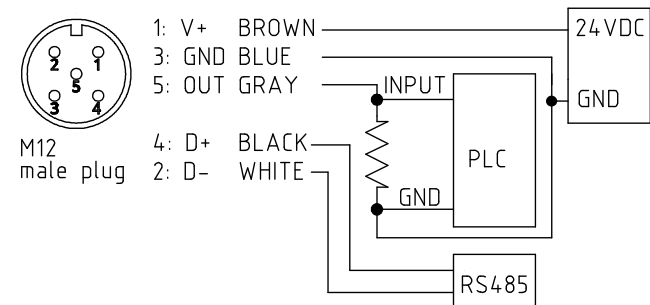


CONNECTION DIAGRAMME

Analog and RS485 output



PNP alarm and RS485 output



PHYSICAL QUANTITY OUTPUT RANGE

	Metric	Imperial
- Temperature <u>T</u>	-40 ... 85 °C	-40... 185 °F
- Relativity Humidity <u>RH</u>	0 ... 100 %	0 ... 100 %
- Dew point <u>T_d</u>	-60 ... 85 °C	-76 ... 185 °F
- Frost/dew point <u>T_f</u>	-60 ... 85 °C	-76 ... 185 °F
- PPMv <u>V</u>	0 ... 240000	0 ... 240000
- PPMw <u>W</u>	0 ... 150000	0 ... 150000

TECHNICAL DATA

Dew point

Measuring range

CAEL-SS27A -60 ... 60°C Td

CAEL-SS27 -40 ... 60°C Td

Accuracy (including non-linearity, hysteresis, and

repeatability) $\pm 2^\circ\text{C Td@25}^\circ\text{C (-40...60}^\circ\text{C Td)}$

$\pm 3^\circ\text{C Td@25}^\circ\text{C (-60...-40}^\circ\text{C Td)}$

Temperature compensate Yes

Analog output

Channel 1

Type current or voltage

Current output 3-wire 4 ... 20 mA

Voltage output 0 ... 1 V / 5 V / 10 V

Accuracy of analog outputs at +25 °C $\pm 0.1\%$ full scale

Temperature dependence $\pm 0.005\%/^\circ\text{C}$ full scale

External loads current output RL < 400 ohm

voltage output 0 ... 1 V output RL > 2k ohm

0 ... 5 V and 0 ... 10 V outputs RL > 10k ohm

PNP alarm output

Current maximum 50 mA

Voltage maximum 30VDC

Activate Increasing / Decreasing

Set-point -9999 to 9999

Hysteresis 0 to 9999

Delay 0 to 3600 second

Latch on/off

RS485 Modbus RTU (Standard)

ID 1...247

Baud rate 9600/19200/38400/57600/115200

Data format N81/N82/E81/E82/O81/O82

Psychrometric calculations

(Td) dew point temperature,

(Tf) frost/dew point temperature, (V) PPMv, (W) PPMw

Power supply

DC 15 ... 35 V

AC 12 ... 29 V

Power consume (25 °C, V+ 24 VDC)

Current output max. 30mA

Voltage output typ. 10mA

PNP alarm output typ. 10mA

Mechanics

Housing material 316/304 stainless steel

Probe pressure 100bar

Housing classification IP 65

Screw in thread PT1/2" G1/2" UNF5/8"

Electrical connections M12-5 pin

Filter

G 1/2" and PT 1/2" stainless steel mesh (75µm)
or sintered stainless steel (30µm)

UNF 5/8" sintered stainless steel (100µm)

Operation temperature

-40 ... 85 °C (-40 ... 185 °F)

Electromagnetic compatibility

EN61326-1:2013 Emission

CISPR11:2009+A1:2010 Group 1 Class B

EN61326-1:2013 Immunity

IEC 61000-4-2:2008

IEC 61000-4-3:2006+A1:2007+A2:2010

IEC 61000-4-8:2009

ORDERING GUIDE

Model	Output	Dew point scale	Thread	Filter
CAEL-SS27A	4 ... 20mA (2)	-20 ... 60°C (1)	PT 1/2" (P)	* Stainless steel mesh (M)
CAEL-SS27	0 ... 10V (3)	-40 ... 60°C (2)	G 1/2" (G)	Sintered stainless steel (S)
	0 ... 5V (5)	-60 ... 60°C (3)	UNF 5/8" (U)	
	0 ... 1V (6)	-40 ... 20°C (4)		
	PNP alarm (7)	-60 ... 20°C (5)		
		By order (S)		
		No (X)		

* only for G 1/2" PT 1/2" thread

ORDERING EXAMPLE

CAEL-SS27A-25PM

Dew point measurement range: -60 ... 60°C Td

Output: 4 ... 20 mA

Dew point scale: -60 ... 20°C Td

Thread: PT 1/2"

Filter: Stainless steel mesh (75µm)

Accessories

SA020002 Stainless steel sintered, pores size: 30µm		SA020401 PT 1/2" stainless steel sample block with PT 1/4" inlet & outlet ports	
SA020004 Stainless steel mesh, pores size: 75µm			

SERIAL

www.serial.com.tw

SERIAL Technology Corporation
17F, No. 98, Sec 1, Xintai 5th Rd, Xizhi Dist,
New Taipei City 22102, Taiwan (R.O.C.)
Phone +886 2 2696 8099
Fax +886 2 2696 8098
E-mail info@serial.com.tw



This material is subject to copyright protection, with all copyrights retained by SERIAL and its individual partners. All rights reserved. Any logos and/or product names are trademarks of SERIAL or its individual partners. The reproduction, transfer, distribution or storage of information contained in this brochure in any form without the prior written consent of SERIAL is strictly prohibited. All specifications — technical included — are subject to change without notice.

CE